

Series 1 Bareshaft Pump Dimensions

| Pump Model | Nominal Bore | | Pump Dimensions | | | | Foot Dimensions | | | | | | | | | | Shaft Dimensions | | |
|-------------|--------------|-----------|-----------------|-----|-----|-----|-----------------|-----|-----|-----|-----|----|-----|-----|-----|-----|------------------|----|-----|
| | Suction | Discharge | a | f | h1 | h2 | b | m1 | m2 | n1 | n2 | n3 | s1 | s2 | v | w | y | d1 | L |
| 50x32-125 | 50 | 32 | 80 | 290 | 112 | 140 | 50 | 100 | 70 | 190 | 140 | 14 | M12 | M12 | 110 | 190 | 80 | 19 | 40 |
| 50x32-160 | 50 | 32 | 80 | 290 | 132 | 160 | 50 | 100 | 70 | 240 | 190 | 14 | M12 | M12 | 110 | 190 | 80 | 19 | 40 |
| 50x32-200 | 50 | 32 | 80 | 290 | 160 | 180 | 50 | 100 | 70 | 240 | 190 | 14 | M12 | M12 | 110 | 190 | 80 | 19 | 40 |
| 65x50-125 | 65 | 50 | 80 | 290 | 112 | 140 | 50 | 100 | 70 | 210 | 160 | 14 | M12 | M12 | 110 | 190 | 80 | 19 | 40 |
| 65x50-160 | 65 | 50 | 80 | 290 | 132 | 160 | 50 | 100 | 70 | 240 | 190 | 14 | M12 | M12 | 110 | 190 | 80 | 19 | 40 |
| 65x40-200 | 65 | 40 | 100 | 360 | 160 | 180 | 50 | 100 | 70 | 265 | 212 | 14 | M12 | M12 | 110 | 235 | 100 | 24 | 50 |
| 65x40-250 | 65 | 40 | 100 | 360 | 180 | 225 | 65 | 125 | 95 | 320 | 250 | 18 | M12 | M12 | 110 | 235 | 100 | 24 | 50 |
| 80x65-125 | 80 | 65 | 100 | 290 | 132 | 160 | 50 | 100 | 70 | 240 | 190 | 14 | M12 | M12 | 110 | 190 | 80 | 19 | 40 |
| 80x65-160 | 80 | 65 | 100 | 360 | 160 | 180 | 50 | 100 | 70 | 265 | 212 | 14 | M12 | M12 | 110 | 235 | 100 | 24 | 50 |
| 80x50-200 | 80 | 50 | 100 | 360 | 160 | 200 | 50 | 100 | 70 | 265 | 212 | 14 | M12 | M12 | 110 | 235 | 100 | 24 | 50 |
| 80x50-250 | 80 | 50 | 125 | 360 | 180 | 225 | 65 | 125 | 95 | 320 | 250 | 18 | M12 | M12 | 110 | 235 | 100 | 24 | 50 |
| 80x50-315 | 80 | 50 | 125 | 470 | 225 | 280 | 65 | 125 | 95 | 345 | 280 | 18 | M12 | M12 | 110 | 300 | 120 | 32 | 80 |
| 100x80-125 | 100 | 80 | 100 | 360 | 160 | 180 | 65 | 125 | 95 | 280 | 212 | 18 | M12 | M12 | 110 | 235 | 100 | 24 | 50 |
| 100x80-160 | 100 | 80 | 100 | 360 | 160 | 200 | 65 | 125 | 95 | 280 | 212 | 18 | M12 | M12 | 110 | 235 | 100 | 24 | 50 |
| 100x65-200 | 100 | 65 | 100 | 360 | 180 | 225 | 65 | 125 | 95 | 320 | 250 | 18 | M12 | M12 | 110 | 235 | 100 | 24 | 50 |
| 100x65-250 | 100 | 65 | 125 | 470 | 200 | 250 | 80 | 160 | 120 | 360 | 280 | 22 | M16 | M12 | 110 | 300 | 120 | 32 | 80 |
| 100x65-315 | 100 | 65 | 125 | 470 | 225 | 280 | 80 | 160 | 120 | 400 | 315 | 22 | M16 | M12 | 110 | 300 | 120 | 32 | 80 |
| 125x80-200 | 125 | 80 | 125 | 470 | 180 | 250 | 65 | 125 | 95 | 345 | 280 | 18 | M12 | M12 | 110 | 300 | 120 | 32 | 80 |
| 125x80-250 | 125 | 80 | 125 | 470 | 225 | 280 | 80 | 160 | 120 | 400 | 315 | 22 | M16 | M12 | 110 | 300 | 120 | 32 | 80 |
| 125x80-315 | 125 | 80 | 125 | 470 | 250 | 315 | 80 | 160 | 120 | 400 | 315 | 22 | M16 | M12 | 110 | 300 | 120 | 32 | 80 |
| 125x80-400 | 125 | 80 | 125 | 470 | 280 | 355 | 80 | 160 | 120 | 435 | 355 | 22 | M16 | M12 | 110 | 300 | 120 | 32 | 80 |
| 125x100-200 | 125 | 100 | 125 | 470 | 200 | 280 | 80 | 160 | 120 | 360 | 280 | 22 | M16 | M12 | 110 | 300 | 120 | 32 | 80 |
| 125x100-250 | 125 | 100 | 140 | 470 | 225 | 280 | 80 | 160 | 120 | 400 | 315 | 22 | M16 | M12 | 110 | 300 | 120 | 32 | 80 |
| 125x100-315 | 125 | 100 | 140 | 470 | 250 | 315 | 80 | 160 | 120 | 400 | 315 | 22 | M16 | M12 | 110 | 300 | 120 | 32 | 80 |
| 125x100-400 | 125 | 100 | 140 | 550 | 280 | 355 | 100 | 200 | 150 | 500 | 400 | 28 | M20 | M12 | 180 | 340 | 140 | 42 | 110 |
| 150x125-200 | 150 | 125 | 140 | 470 | 225 | 280 | 80 | 160 | 120 | 400 | 315 | 22 | M16 | M12 | 110 | 300 | 120 | 32 | 80 |
| 150x125-250 | 150 | 125 | 140 | 470 | 250 | 355 | 80 | 160 | 120 | 400 | 315 | 22 | M16 | M12 | 110 | 300 | 120 | 32 | 80 |
| 150x125-315 | 150 | 125 | 140 | 550 | 280 | 355 | 100 | 200 | 150 | 500 | 400 | 28 | M20 | M12 | 180 | 340 | 140 | 42 | 110 |
| 150x125-400 | 150 | 125 | 140 | 550 | 315 | 400 | 100 | 200 | 150 | 500 | 400 | 28 | M20 | M12 | 180 | 340 | 140 | 42 | 110 |
| 200x150-200 | 200 | 150 | 160 | 530 | 250 | 355 | 80 | 160 | 120 | 400 | 315 | 22 | M20 | M12 | 110 | 370 | 120 | 42 | 110 |
| 200x150-250 | 200 | 150 | 160 | 550 | 280 | 375 | 100 | 200 | 150 | 500 | 400 | 28 | M20 | M12 | 180 | 340 | 140 | 42 | 110 |
| 200x150-315 | 200 | 150 | 160 | 550 | 315 | 400 | 100 | 200 | 150 | 550 | 450 | 28 | M20 | M12 | 180 | 340 | 140 | 42 | 110 |
| 200x150-400 | 200 | 150 | 160 | 550 | 315 | 450 | 100 | 200 | 150 | 550 | 450 | 28 | M20 | M12 | 180 | 340 | 140 | 42 | 110 |
| 200x150-500 | 200 | 150 | 160 | 630 | 400 | 500 | 120 | 250 | 180 | 620 | 550 | 35 | M20 | M12 | 180 | 400 | 180 | 55 | 110 |
| 200x200-250 | 200 | 200 | 180 | 550 | 280 | 400 | 100 | 200 | 150 | 550 | 450 | 28 | M20 | M12 | 180 | 340 | 140 | 42 | 110 |
| 200x200-315 | 200 | 200 | 180 | 550 | 315 | 450 | 100 | 200 | 150 | 550 | 450 | 28 | M20 | M12 | 180 | 340 | 140 | 42 | 110 |
| 200x200-400 | 200 | 200 | 180 | 630 | 355 | 450 | 120 | 250 | 180 | 620 | 550 | 35 | M20 | M12 | 180 | 400 | 180 | 55 | 110 |
| 250x250-400 | 250 | 250 | 200 | 630 | 400 | 515 | 120 | 250 | 180 | 670 | 550 | 35 | M20 | M12 | 140 | 400 | 180 | 55 | 110 |

Not for manufacture. Certified drawings are available on request
All Dimensions are in mm & subject to change without notice



28 MOONEY STREET, BAYSWATER WA 6053
PO BOX 170, BAYSWATER WA 6933
TELEPHONE 61 8 9271 7599
FACSIMILE 61 8 9271 0926
EMAIL pumpeng@bigpond.com

SERIES 1

THERE IS AN ALTERNATIVE



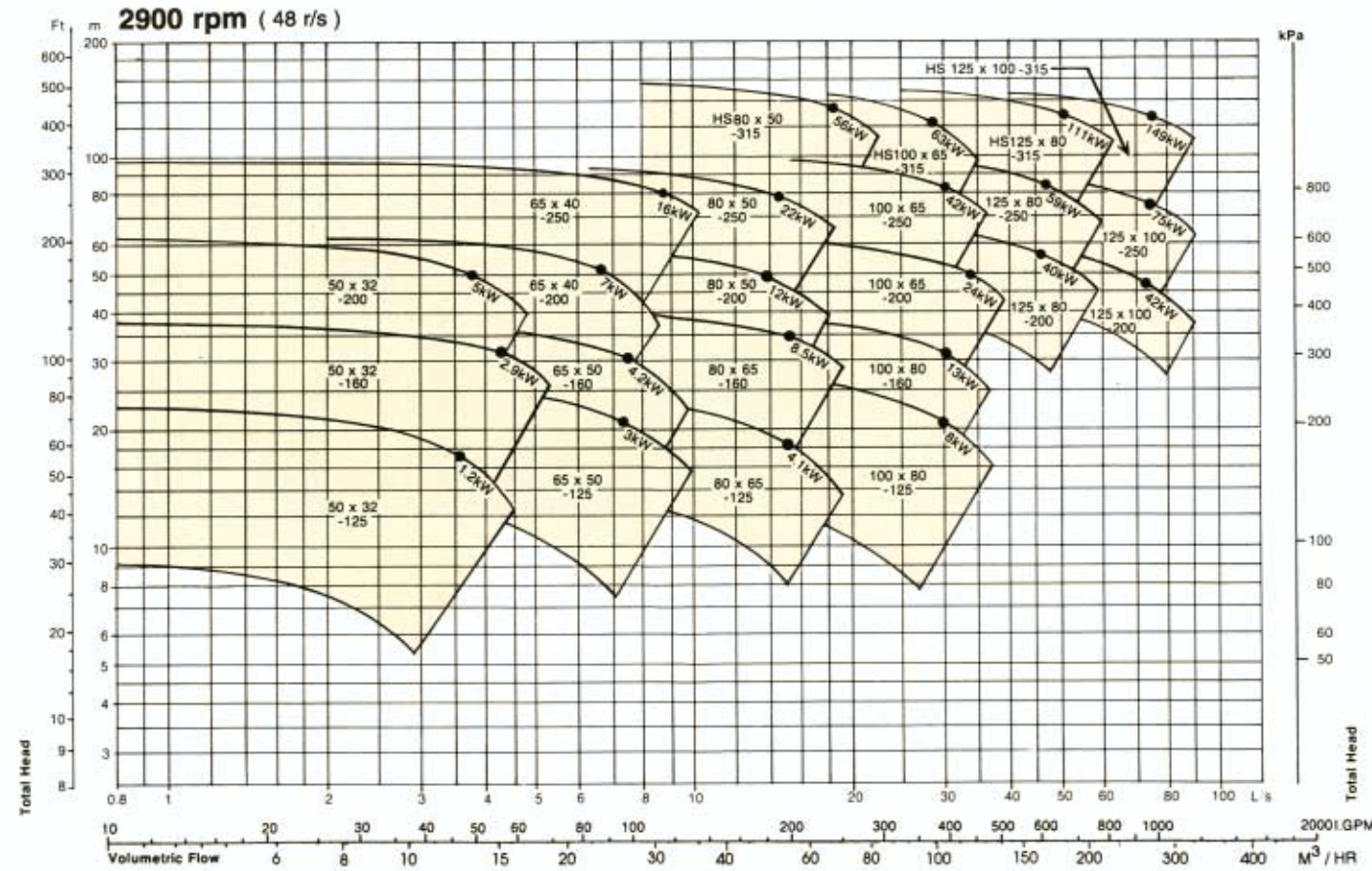
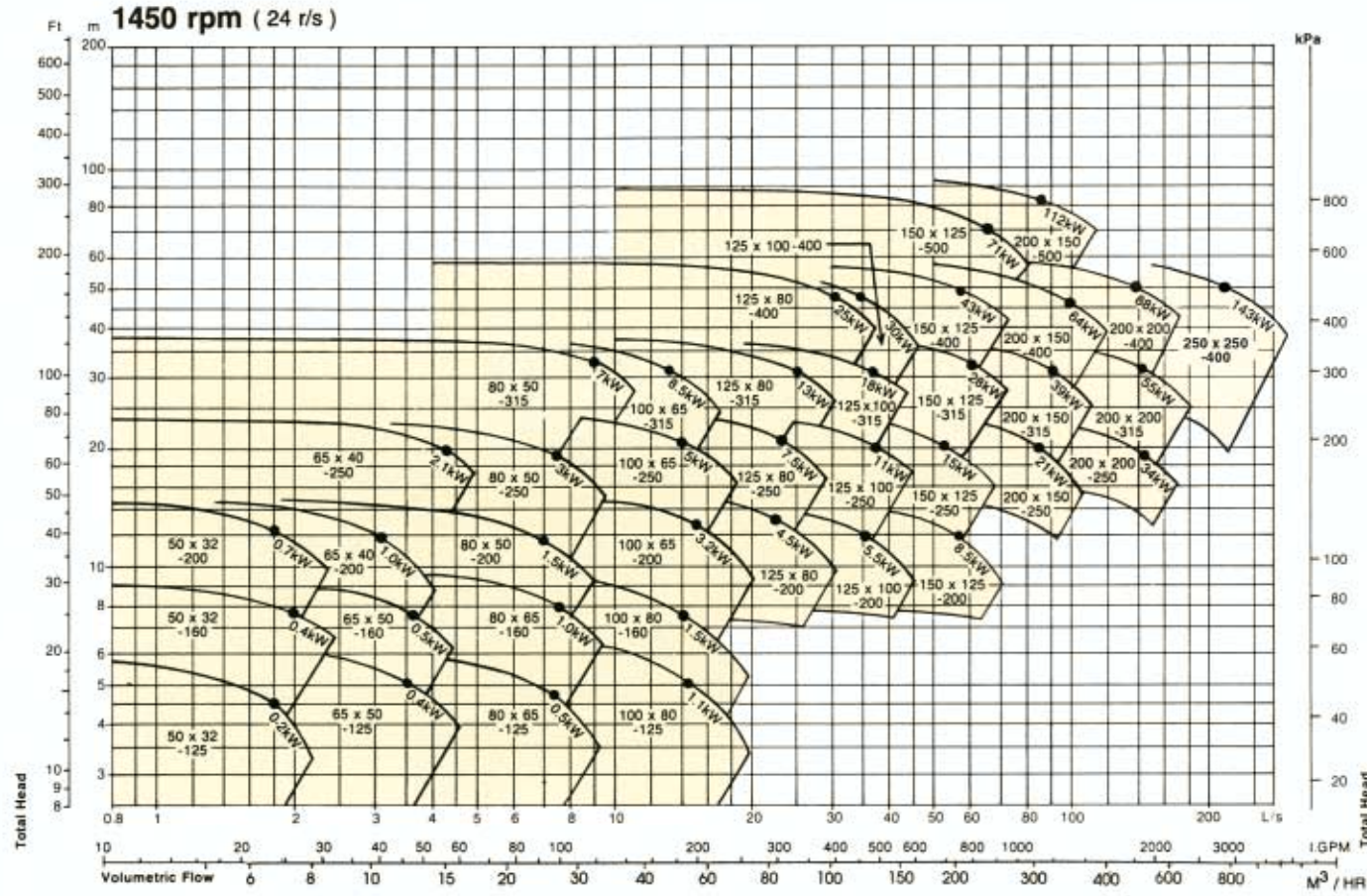
The PumpEng "Series 1" pump is manufactured as an alternative to and competes directly with the Ajax IS range of centrifugal pumps.

The PumpEng "Series 1" pump offers interchangeable spare parts, hydraulic performance and overall dimensions to the Ajax IS.

Available in:-

- Ni-Resist- "Corrosion and wear resistant Iron"
- Various grades of Bronze
- Ductile iron
- Various grades of Stainless Steel
- Specialty alloy materials

SERIES 1 RANGE SELECTION CHART



Conversions

Head: 10ft. = 3.048 m; Flow: 100 i gal/min = 7.577 L/s; 100 US gal/min = 6.309 L/s; Power: 10 hp = 7.457 kW

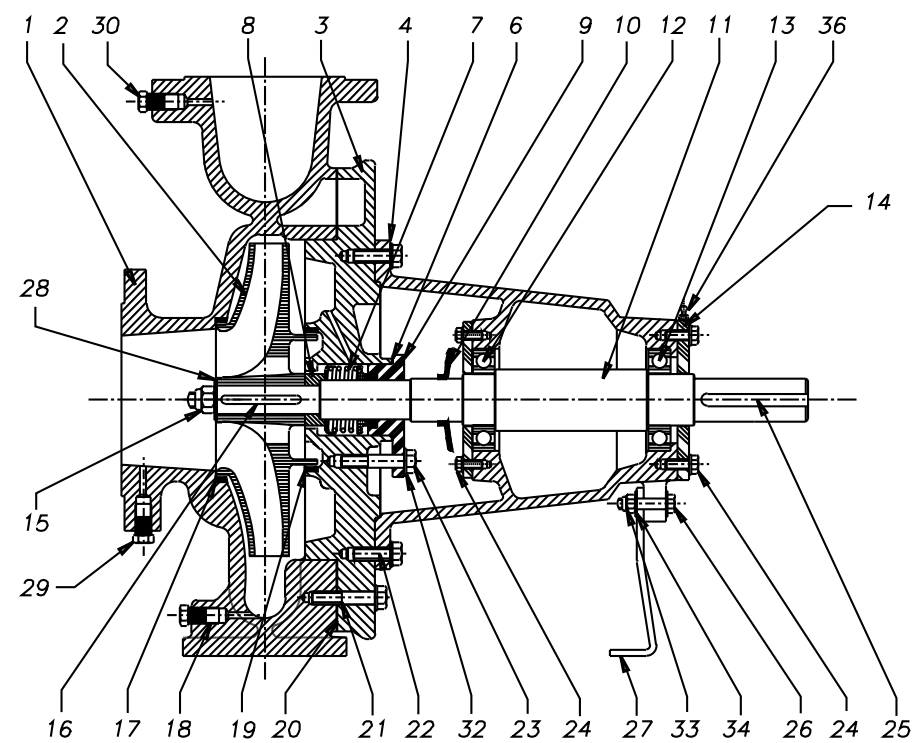
Point of maximum efficiency. Non overloading power

FOR FINAL SELECTION REFER TO INDIVIDUAL PUMP CURVE

PRODUCT FEATURES

| | |
|--------------------|--|
| CASING | Foot mounted, end suction, single stage & vertically split back pull-out pump offering increased maintenance efficiency. Generally complying with ISO 2858 specification. Pressure testing is conducted on all casings. |
| FLANGES | Flanges according to ISO 7005, rated to 16 bar pressure and drilled in accordance with "TABLE E" as per AS2129-1978. Alternative flange drilling is available upon request. |
| IMPELLER | Closed vane impellers, produced in one piece with front and rear sealing areas and incorporating hydraulic balancing holes. All impellers are statically balanced. |
| SHAFT | CNC machined stainless steel shaft is designed to take the full load stress with minimum deflection. |
| SHAFT SEAL | High quality Carbon/Ceramic/Nitrile mechanical seal fitted as standard. Optional mechanical seal materials and Packed Gland shaft seals are available. |
| BEARINGS | Fitted with deep groove sealed for life ball bearings as standard. Periodic greasing is not required. |
| PUMP DESIGN | This pump generally encompasses the standards of ISO 2858, ISO 7005 and ISO 3069. High precision machining to strict quality control ensures that tolerances and clearances are maintained. Working pressures to 16 bar and temperatures to 100° Celsius are accommodated. |

PARTS LIST



| ITEM No. | DESCRIPTION |
|----------|------------------------|
| 1 | VOLUTE CASING |
| 2 | IMPELLER |
| 3 | BACKPLATE |
| 4 | BEARING PEDESTAL |
| 6 | SEAL PLATE GASKET |
| 7 | MECHANICAL SEAL |
| 8 | MECHANICAL SEAL COLLAR |
| 9 | MECHANICAL SEAL PLATE |
| 10 | WATER SLINGER |
| 11 | SHAFT |
| 12 | BEARING N.D.E. |
| 13 | BEARING D.E. |
| 14 | BEARING COVER |
| 15 | IMPELLER NUT |
| 16 | IMPELLER KEY |
| 17 | FRONT CASING WEAR RING |
| 18 | DRAIN PLUG |
| 19 | REAR CASING WEAR RING |
| 20 | CASING GASKET |
| 21 | CASING BOLT/STUD |
| 22 | BACK COVER BOLT |
| 23 | SEAL PLATE STUD |
| 24 | BEARING COVER BOLT |
| 25 | COUPLING KEY |
| 26 | SUPPORT FOOT BOLT |
| 27 | SUPPORT FOOT |
| 28 | IMPELLER WASHER |
| 29 | SUCTION FLANGE PLUG |
| 30 | DISCHARGE FLANGE PLUG |
| 32 | SEAL PLATE WASHER |
| 33 | SUPPORT FOOT NUT |
| 34 | SUPPORT FOOT WASHER |
| 36 | GREASE NIPPLE |